



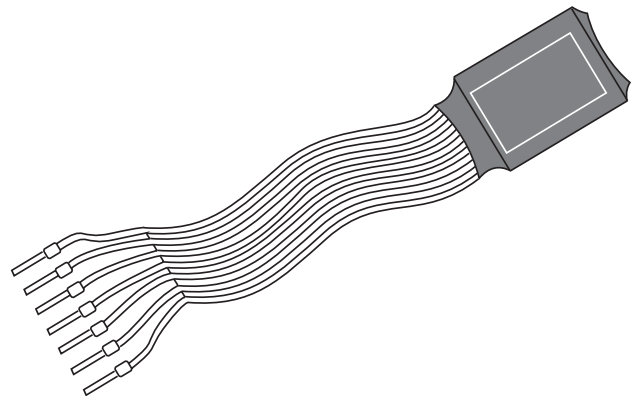
## Occupancy Detector Interface (441)

The 441 Occupancy Detector Interface allows connection of a customer-specified occupancy sensor to a DIGIDIM-DALI system. The input accepts a volt-free, normally closed contact. The prewired encapsulated circuit board is intended for mounting inside the wiring space of the sensor.

The 441 also includes a 12 V DC supply (15 mA max.) to power the sensor.

### Key Features

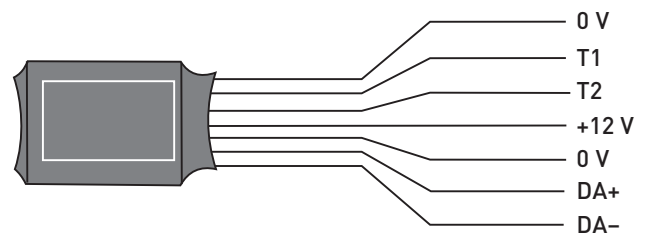
- Fits into the wiring space inside the sensor.
- Input for normally closed (NC) volt-free switch compatible with security sensors.
- Fully programmable using Toolbox and Designer software.
- Compatible with Helvar iDim range; functioning as a PIR extension sensor.



### Installation Notes

- For installation in a restricted access location only.
- All cabling must be 230 V mains rated.
- Isolate the mains supply before installation.
- Do not extend input cables.
- Insulate unused inputs.

### Default Functions



Connection	Cable Colour
0 V	Brown
T1	Red
T2	Orange
+12 V	Yellow
0 V	Green
DA+	Blue
DA-	Violet

## Technical Data

### Voltage-free switched inputs

- Connections:** 0 V input ground.  
1 sensor input (normally closed).  
2 for future use. Do not connect.
- Voltage at T1:** 5 V nominal with input open, must be less than 1 V closed.
- Overload protection:**  $\pm 7$  V
- Short-circuit current:** 1 mA max.
- Debounce period:** 50 ms

### Connections

- DALI/switch/power:** Ribbon cable terminated with 7 ferrules  
Ferrule pin  $\varnothing$  1.2 mm  
Note: To avoid interference problems, the connections must not be increased in length.

### Power

- Sensor supply:** 12 V @ 15 mA max. (nonisolated)  
0 V supply, common to input 0 V
- DALI consumption:** 10 mA + sensor supply mA  
 $\leq 25$  mA max.

### Mechanical data

- Dimensions:** 50 mm  $\times$  20 mm  $\times$  10 mm
- Weight:** 12 g
- IP code:** IP20

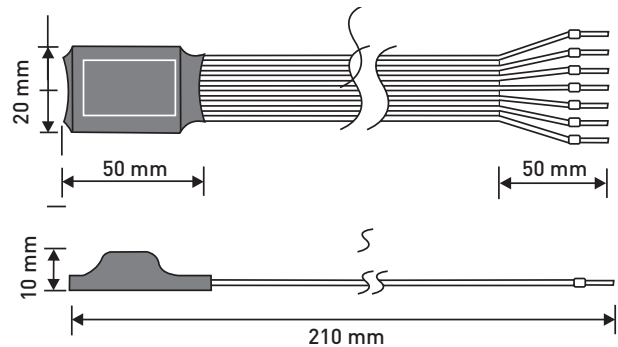
### Operating conditions

- Ambient temperature:** 0 °C to +40 °C
- Relative humidity:** Max. 90 %, noncondensing
- Storage temperature:** -10 °C to +70 °C

### Conformity and standards

- EMC Emission:** EN 55015
- EMC Immunity:** EN 61547
- Safety:** EN 60950
- Environment:** Complies with WEEE and RoHS directives

### Dimensions



### Typical Connection to Occupancy Sensor

